

The POWERCART H-SERIES is a compact, highly maneuverable industrial cart mover. It combines the hydraulic lift system of a manual jack with a unique, quick-connect hitching system and the POWERPALLET 2000 drive system ... together creating a fast, powerful, easy-to-use and highly maneuverable cart mover. Connecting via the mating cart hitch (attached to each cart) it allows a single operator to effortlessly move wheeled loads weighing up to 3,000lbs (1,360 kgs).

FASTER: The POWERCART H-Series (PCH) features a self-aligning quick-connect/disconnect hitching system. Additionally, it features a user settable max. speed of 3.7mph (100m/min) and infinitely variable throttle for both forward (pushing) and reverse (pulling).

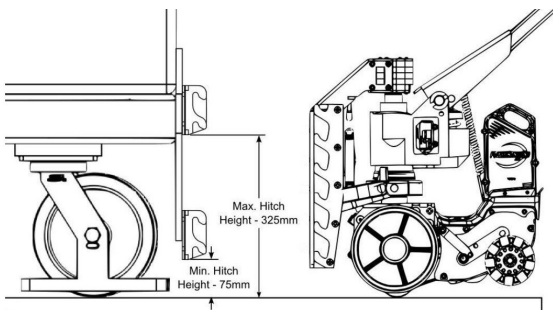
MORE POWERFUL: Utilizing the same drive system as on the POWERPALLET 2000, the PCH can move 3,000lb (1,360 kg) with ease, or for loads weighing even more, it becomes a powered assist that does most of the heavy lifting.

MORE MANEUVERABLE: With more than 180° of directional rotation at the hitch and a footprint less than 11" (275mm) wide at full turn, the PCH offers exceptional maneuverability in tight spaces. Additionally, the PCH is intuitive and easy-to-use either pulling or pushing loads.

MORE FLEXIBLE: The PCH employs a unique spring compliance system for hitching. The operator can engage but only lift enough to compress the spring and provide traction, or pump more and lift the hitched end of the cart entirely off the ground. This is ideal for two-wheeled / two-legged carts, poorly running carts or for operation on uneven / low-traction floors.



Quick charge
Li-Ion battery pack
and charger



BETTER VALUE: Despite the exceptional performance, features and reliability, the PCH costs less than most movers in its class. And as the PCH and PP2K share not just the same operating method, but also the same key components (including operator controls, battery packs and chargers), these two series are also perfect partners in facilities that utilize both carts and pallets.

POWERCART H-Series Specs	Max. Speed*		Load Moving Capacity		Drive Motor	Li-Ion Battery Pack		Recharge Time
	M/Min	MPH	Kg	Pounds		Amp Hours	Voltage	
	100	3.7	1,600	3,000	Brushless DC	5Ah	51.8	2 Hours (from 80% depletion)